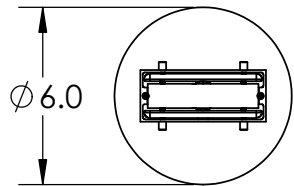
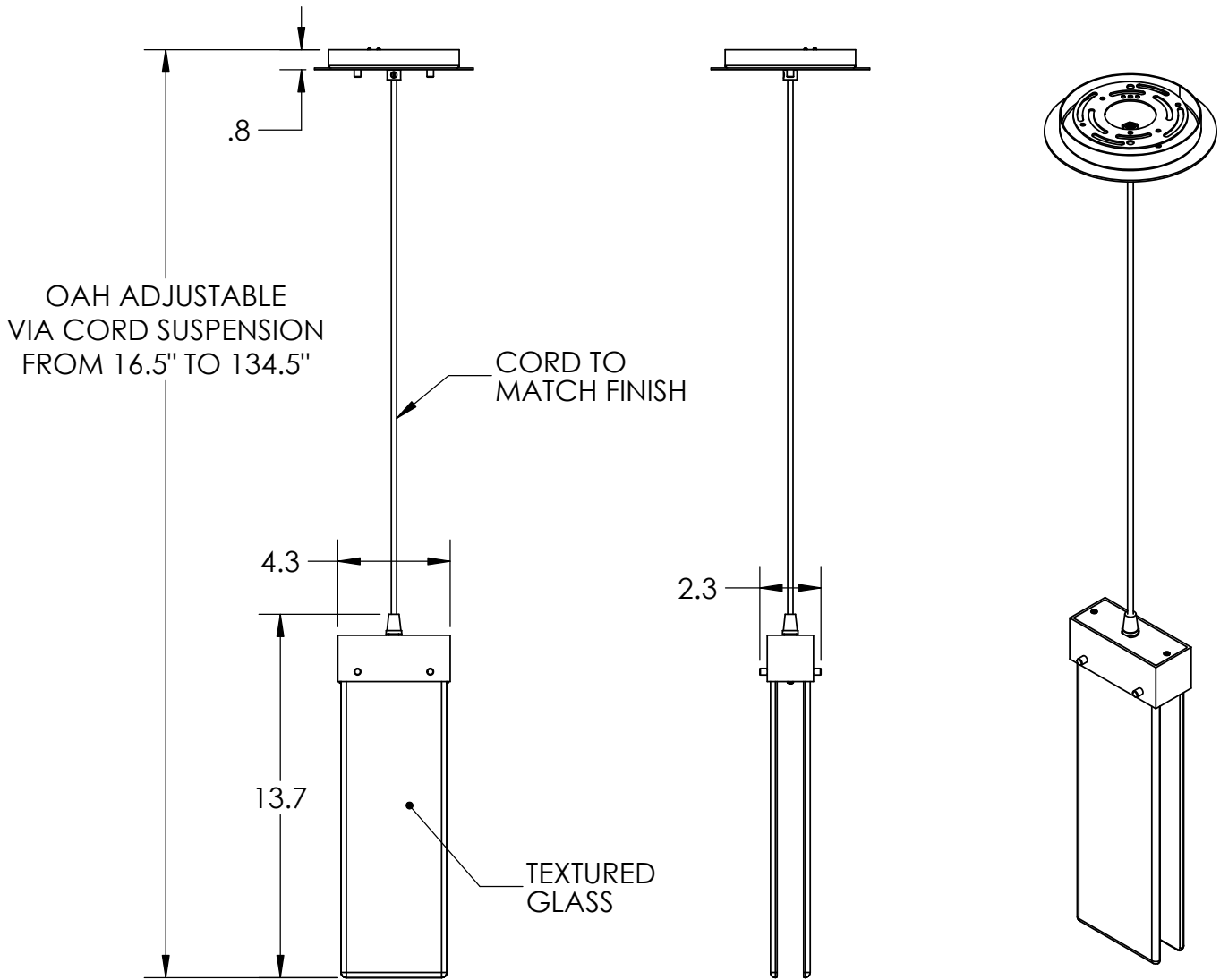


Collection: PARALLEL GLASS

Product #: LAB0042-01



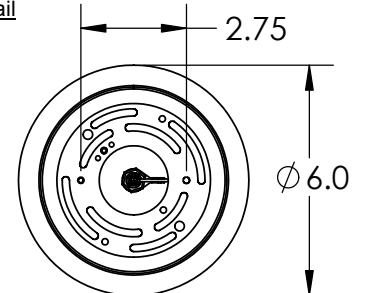
**\*\*NOTE\*\***  
LED DRIVER TO BE INSTALLED IN J-BOX  
MINIMUM SIZE OF J-BOX REQUIRED IS  
4" L x 4" W x 1.5" H

Visit [hammertonstudio.com](http://hammertonstudio.com) for product options and specifications.

10/17/2016 (A)

Mounting Packet: Y	Weight(lbs.): 5	Electrical Type: LED	CCT: 2700 K
UL Location: DRY	Elec. Qty: 1	Wattage: 5.2	Voltage: 120
Finish: SEE WEB SITE FOR OPTIONS	Source Lumens:	Up: N/A	Down: 340
Top Diffuser: CLOSED	Forward/Reverse Phase or 0-10v To 1%		
Bottom Diffuser: FROSTED GLASS	CRI: 93+	Power Factor: >0.9	
All fixtures created by Hammerton are handcrafted by artisans. Dimensions may vary up to 7/8".			
© Copyright 2016. All rights in design, detail or invention of this drawing are reserved as the property of Hammerton. Any imitation or adaptation without written consent is strictly prohibited.			
Hammerton Inc. 217 Wright Brothers Dr. Salt Lake City, UT 84116 (801)973-8095			

**Mounting Detail**



**MOUNTS DIRECTLY TO J-BOX**