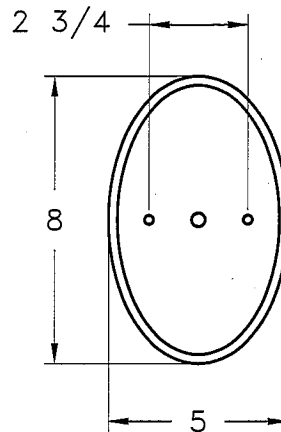
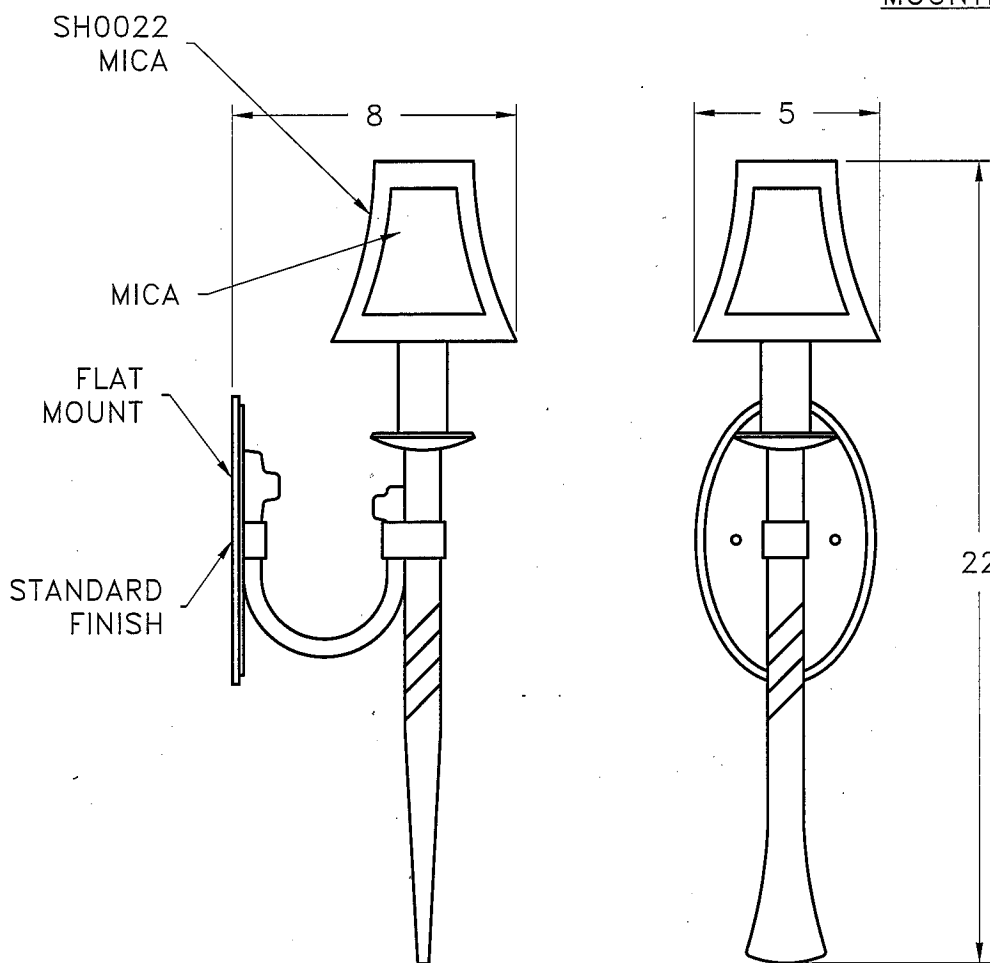


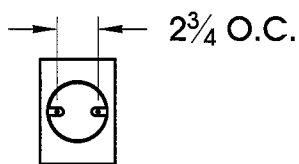
# HAMMERTON



MOUNTING DETAIL



**MOUNTING SPECIFICATION NOTES:**



**CAUTION**  
HARDWARE PACKET "D" MOUNTS  
DIRECTLY TO J-BOX.

**ELECTRICAL SPECIFICATION NOTES:**



**ELECTRICAL: 1 - 40 WATT MAX  
EDISON BASE  
120v TYPICAL**

Light Bulb NOT Included

CATALOG # ID9048-SH0022

APPROXIMATE WEIGHT: 6 Lbs.

HARDWARE PACKET: D

SHADE MATERIAL : MICA

UL RATING: DRY

DIMENSION TOLERANCE ±7/8"

www.hammerton.com

© Copyright 2006, All rights in design, detail or invention of this drawing are reserved as the property of Hammerton. Any imitation or adaptation without written consent is strictly prohibited.